

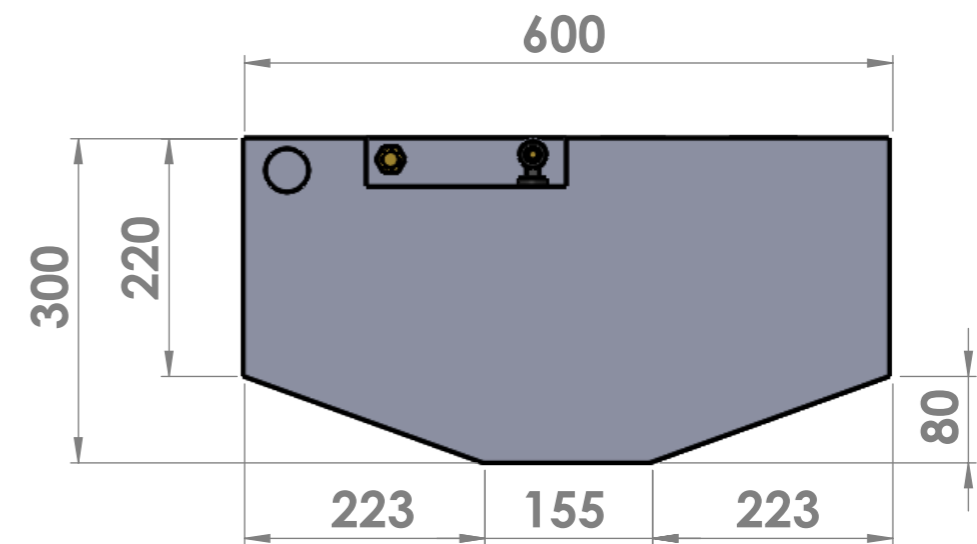
Fuel Tank Model: 11-498-1

Capacity:* 200 lt

Breather OD: 16mm

Pick Up OD: 10mm

Sender OHM Rating: 30 to 240



For more information please go to www.santmarine.com.au

All measurements in millimetres

Important Information:

1. Polyethylene fuel tanks are subject to expansion of 3% within a month after being filled with fuel.
2. The dimensions shown above represent the size of the tank after such expansion. The size of the cavity should not be less than the dimensions shown.

Revision Date

26/03/2025

Scale **NTS**

* The capacity stated above is the internal volume of the tank. The fuel carrying capacity may vary depending on the positioning of the tank within the boat, the angle of the boat in the water and the location of breathers and fittings.